

Xpendriv Cage

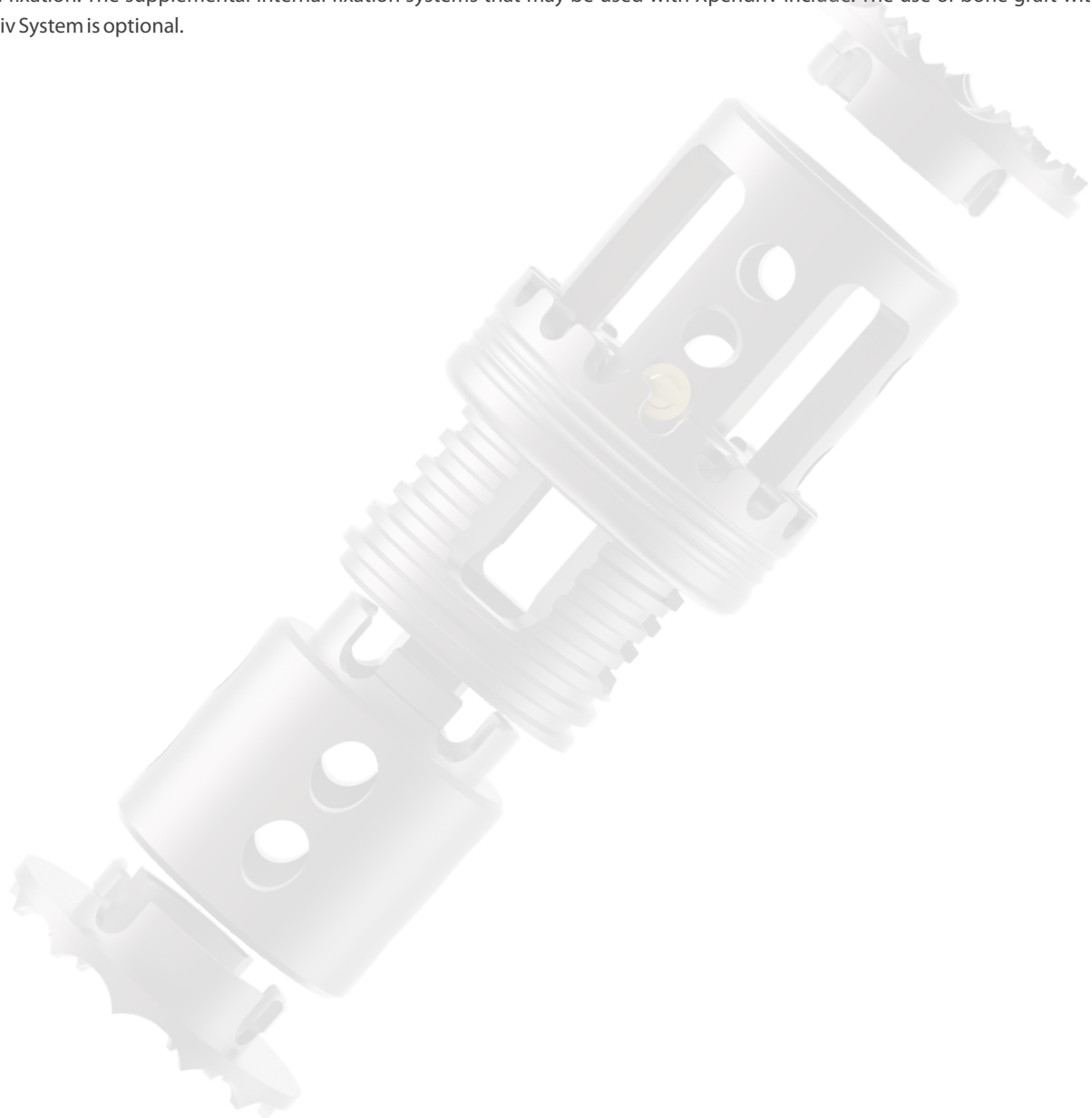
Vertebral Body Replacement System

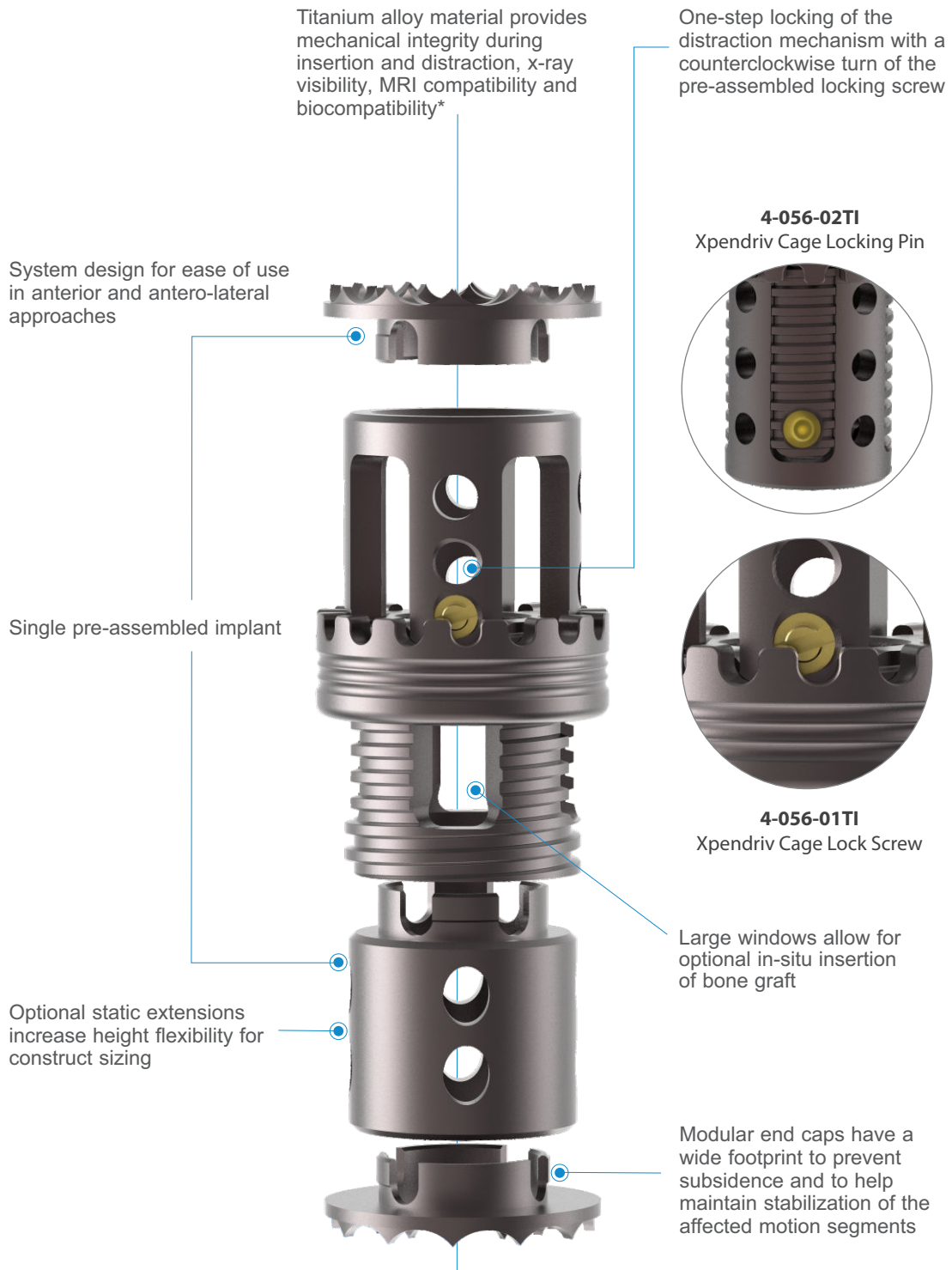


The Xpendriv Cage Vertebral Body Replacement System consists of a Distractible In Situ (DIS) implant, which enables the surgeon to customize the height of the implant after implantation. The pre-assembled Xpendriv Cage implant distracts with a low profile inside thread design. Extensions (if needed) and modular end caps snap into each end of the implant for quick assembly. The end caps are available in 0° or with angulation to match either the lordosis or kyphosis of the spinal segment. The implant and end caps are composed of titanium alloy.

System Indications

Auxein Spine's Xpendriv System is intended to replace a vertebral body or an entire vertebra. It is for use in the thoracolumbar spine (T1-L5) to replace a collapsed, damaged or unstable vertebral body or vertebra resected or excised during total and partial corpectomy and vertebrectomy procedures due to tumor or trauma (i.e., fracture). The Xpendriv System is intended to be used with supplemental internal fixation. The supplemental internal fixation systems that may be used with Xpendriv include. The use of bone graft with the Xpendriv System is optional.





Xpendriv Cage


Code	Product Specification	Material
4-001-020TI	Ø18mm X 20mm	Ti



Code	Product Specification	Material
4-001-025TI	Ø18mm X 25mm	Ti



Code	Product Specification	Material
4-001-032TI	Ø18mm X 32mm	Ti



Code	Product Specification	Material
4-002-025TI	Ø22mm X 25mm	Ti



Code	Product Specification	Material
4-002-032TI	Ø22mm X 32mm	Ti



Code	Product Specification	Material
4-002-037TI	Ø22mm X 37mm	Ti

Xtension


Code	Product Specification	Material
4-003-018TI	Ø18mm	TI



Code	Product Specification	Material
4-003-022TI	Ø22mm	TI

X Cap


Code	Product Specification	Material
4-004-00TI	Ø18mm, 0°	TI



Code	Product Specification	Material
4-004-03TI	Ø18mm, 3°	TI



Code	Product Specification	Material
4-004-08TI	Ø18mm, 8°	TI



Code	Product Specification	Material
4-005-00TI	Ø22mm, 0°	TI



Code	Product Specification	Material
4-005-03TI	Ø22mm, 3°	TI

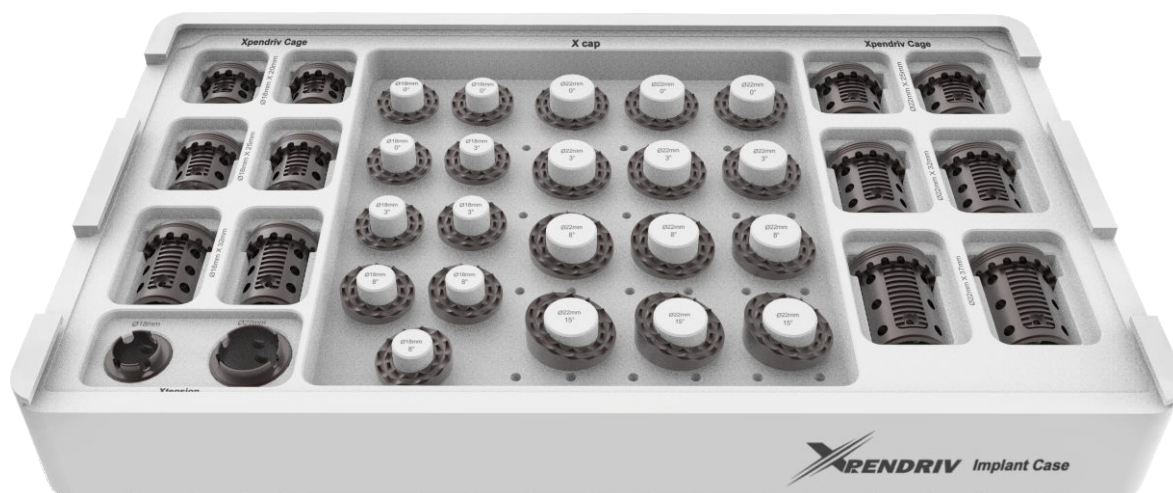


Code	Product Specification	Material
4-005-08TI	Ø22mm, 8°	TI



Code	Product Specification	Material
4-005-15TI	Ø22mm, 15°	TI

4-081 Xpendriv Cage Implant Set



Code	Set Consisting of	Qty.
4-001-020TI	Xpendriv Cage, Ø18mm X 20mm	2
4-001-025TI	Xpendriv Cage, Ø18mm X 25mm	2
4-001-032TI	Xpendriv Cage, Ø18mm X 32mm	2
4-002-025TI	Xpendriv Cage, Ø22mm X 25mm	2
4-002-032TI	Xpendriv Cage, Ø22mm X 32mm	2
4-002-037TI	Xpendriv Cage, Ø22mm X 37mm	2
4-003-018TI	Xtension, Ø18mm	1
4-003-022TI	Xtension, Ø22mm	1
4-004-00TI	X Cap, Ø18mm, 0°	3
4-004-03TI	X Cap, Ø18mm, 3°	3
4-004-08TI	X Cap, Ø18mm, 8°	3
4-005-00TI	X Cap, Ø22mm, 0°	3
4-005-03TI	X Cap, Ø22mm, 3°	3
4-005-08TI	X Cap, Ø22mm, 8°	3
4-005-15TI	X Cap, Ø22mm, 15°	3
4-046-01	Implant Box for Xpendriv Cage System	1

Xpendriv Cage Instruments

7-003-01

Xpender



7-003-02

Xpender Inside Shaft



7-003-03

Screwdriver for Xpendriv Cage



7-003-04

Small Graft Impactor for Xpendriv Cage



7-003-05

Graft Impactor for Xpendriv Cage



7-003-06

X Cap Remover for Xpendriv Cage

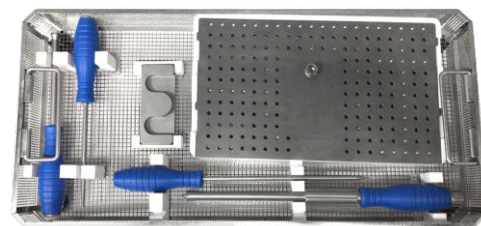


4-046-01

Implant Box for Xpendriv Cage System



7-107-01 Instrument Tray, 540mm x 255mm x55mm



7-106-02 Aluminium Sterilization Container, 560mm x 270mm x 100mm



7-003 Xpendriv Cage Instrument Set



Code	Set Consisting of	Qty.
7-003-01	Xpender	1
7-003-02	Xpender Inside Shaft	1
7-003-03	Screwdriver for Xpendriv Cage	1
7-003-04	Small Graft Impactor for Xpendriv Cage	1
7-003-05	Graft Impactor for Xpendriv Cage	1
7-003-06	X Cap Remover for Xpendriv Cage	1
4-046-01	Implant Box for Xpendriv Cage System	1
7-107-01	Instrument Tray, 540mm x 255mm x55mm	1
7-106-02	Aluminium Sterilization Container, 560mm x 270mm x 100mm	1