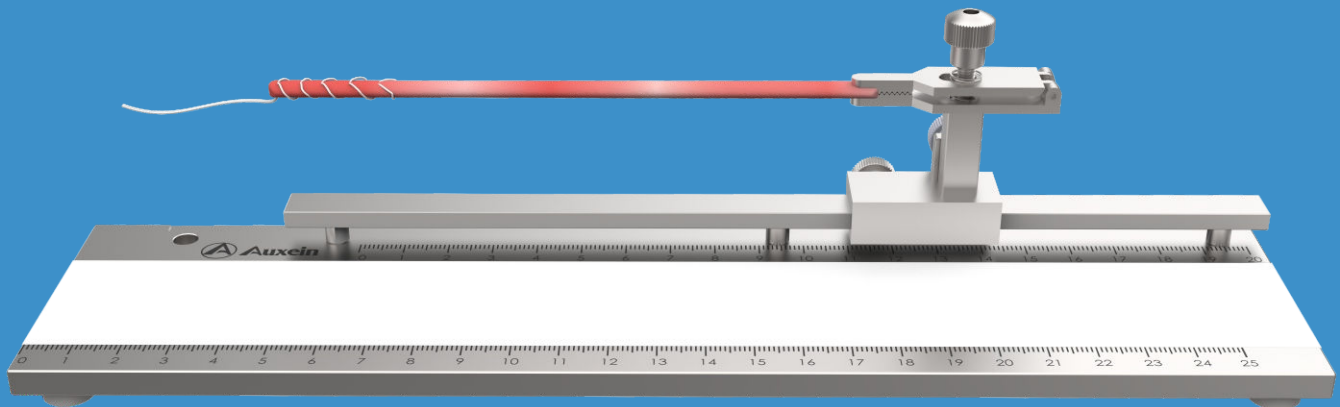


Surgical Technique

WhipStitch Technique using
BioBraid Infinity Loop



About us

Auxein Medical is an integrated, research based, orthopaedic Implants & instruments manufacturing company, producing a wide range of quality, affordable generic implants, trusted by healthcare professionals and patients across geographies. It is the Company's constant endeavor to provide a wide basket of generic and our innovator products that exceed the highest expectations of customers in term of quality and safety. The company has world-class manufacturing unit established in india and serves customers in over 80 countries worldwide.

Achievements

- US FDA 510K Cleared (Arthroscopy | Spine | Nailing | Locking Plates | Screws)
- EC Certificate - Class IIa & IIb
- ISO 13485:2016
- ISO 9001:2015
- India FDA Approved
- India MDR 2017



80+
Countries
Covered



150+
Distributors
Network



1200+
Implants
Range



20M+
Patients
Treated



Disclaimer

All content herein is protected by copyright, trademarks and other intellectual property rights, as applicable, owned by or licensed to Auxein Medical or its affiliates unless otherwise indicated, and must not be redistributed, duplicated or disclosed, in whole or in part, without the express written consent of Auxein Medical.

This material is intended for health care professionals. Distribution to any other recipient is prohibited.

For indications, contraindications, warnings, precautions, potential adverse effects and patient counselling information, see the package insert or contact your local representative; visit www.auxein.com for additional product information.

Auxein Medical does not practice medicine. This technique was developed in conjunction with health care professionals. This document is intended for surgeons and is not intended for laypersons. Animations and virtual reality are provided as a visual guide based on surgical techniques; a written copy of the surgical technique is available at www.auxein.com or from your local representative. Each surgeon should exercise his or her own independent judgment in the diagnosis and treatment of an individual patient, and this information does not purport to replace the comprehensive training surgeons have received. As with all surgical procedures, the technique used in each case will depend on the surgeon's medical judgment as the best treatment for each patient. Results will vary based on health, weight, activity and other variables. Not all patients are candidates for this product and/or procedure.

©2022 Auxein Medical.

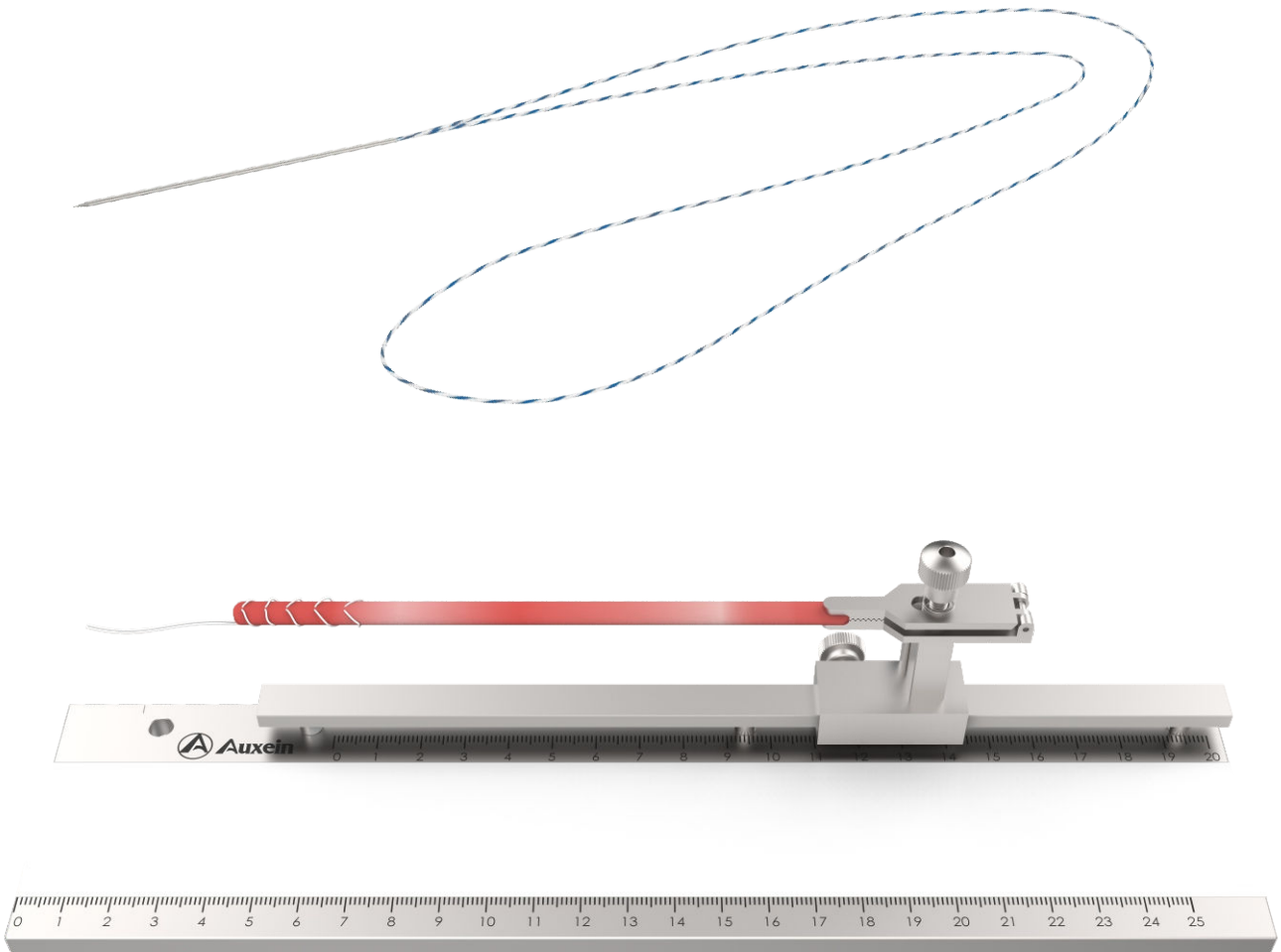


Organised by:  **Auxein**

Contents

Product Overview	01
Indications	02
Surgical Technique	03-06
Ordering Information	06

PRODUCT OVERVIEW



AUXILOCK[®] BioBraid Infinity Loop is a continuous loop of BioBraid with a straight needle. The straight needle is easy to handle, without instruments, and moves freely on the suture to recenter itself after passing through tissue and to facilitate even tensioning. BioBraid Infinity Loop utilizes the whipstitch technique for graft preparation and reduces the time spent. It also compresses the graft uniformly and improves strength.

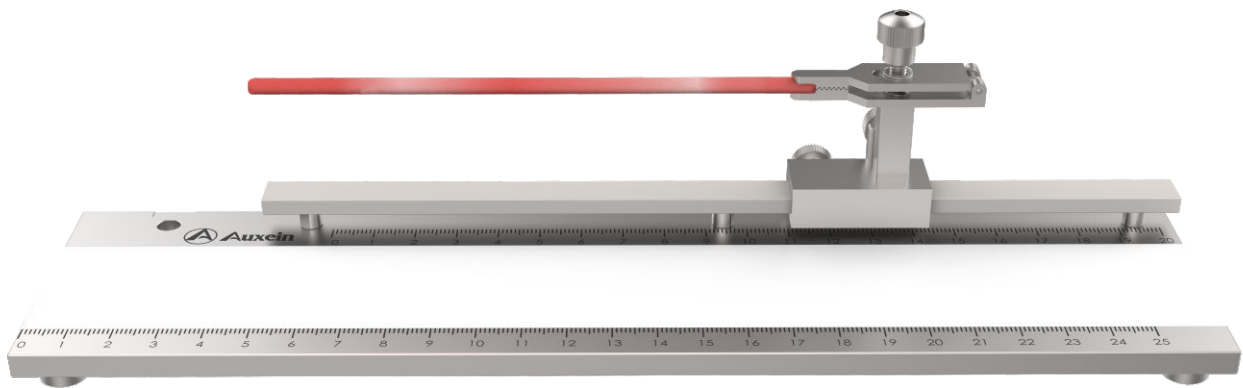
INDICATION

The AUXILOCK[®] BioBraid Suture is intended for use in soft tissue approximation and/or ligation. The suture may be provided individually or be incorporated as a component, into surgeries where constructs including those with allograft or autograft tissue are used for repair.

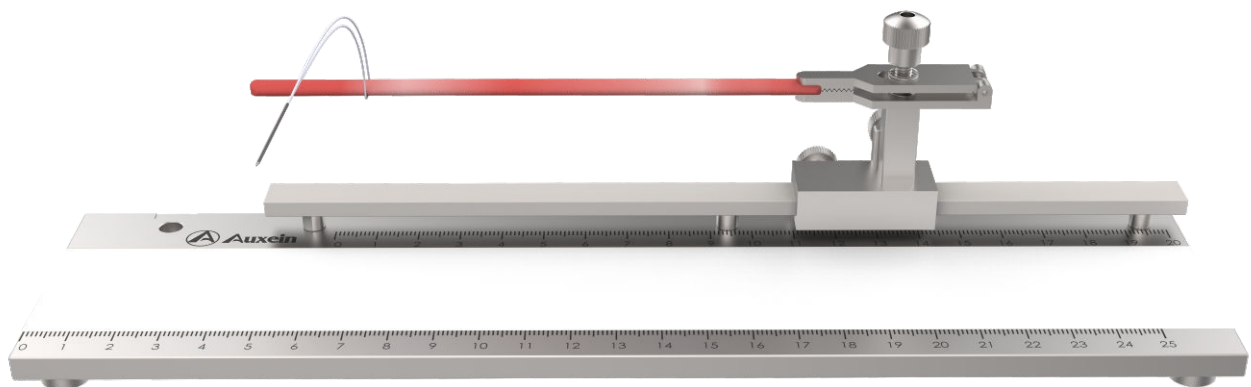


SURGICAL TECHNIQUE

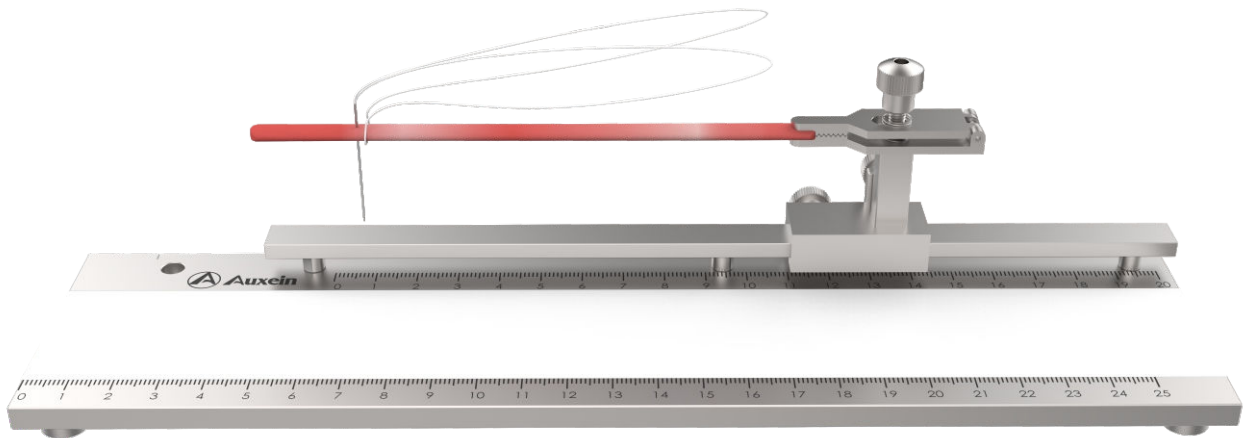
Secure one end of the double or single soft tissue graft bundle to the graft holder of the graft station. Hold the opposite end of the graft by hand or using a clamp so that the graft end can be easily passed through the suture loop.



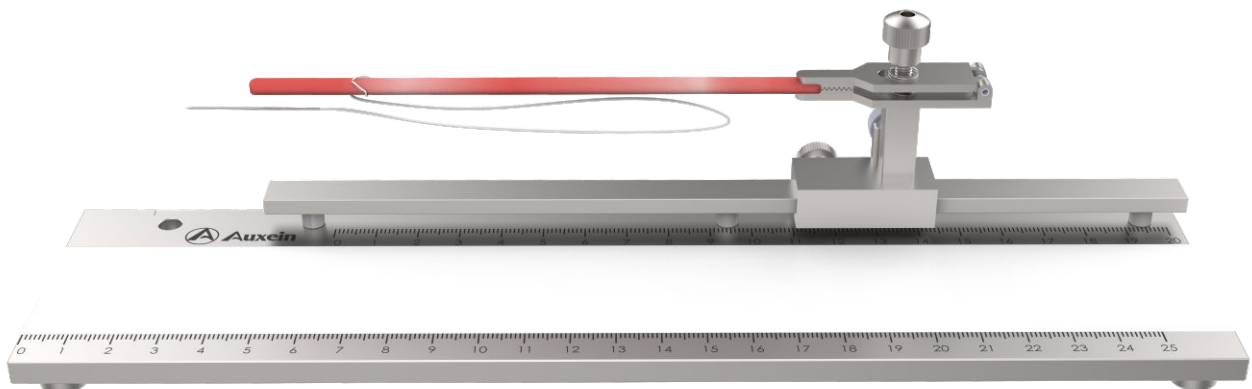
Pass the center of the BioBraid Infinity Loop over the free end of the graft and position it at the desired proximal starting point.



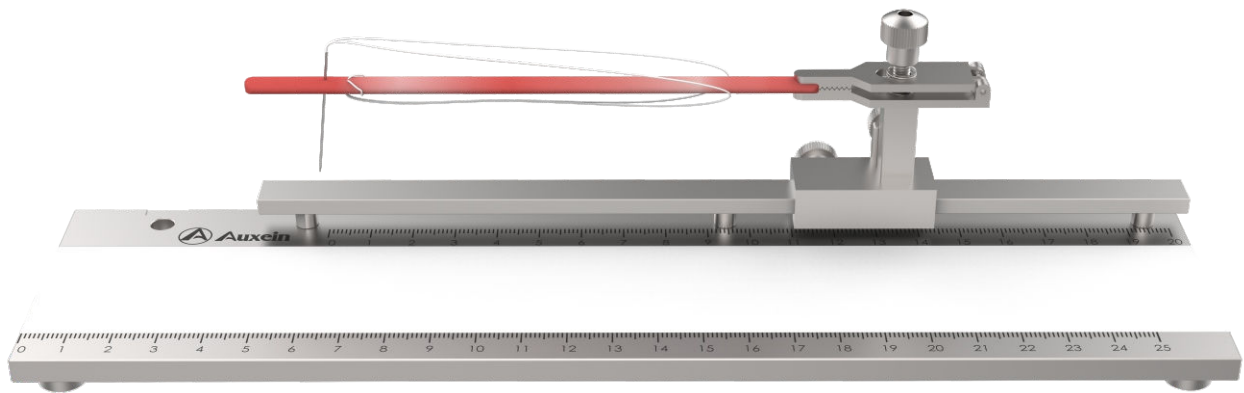
Pass the needle through the graft at the proximal starting point. (Note: in this technique the graft is stitched starting from the center and moving toward the end of the graft.)



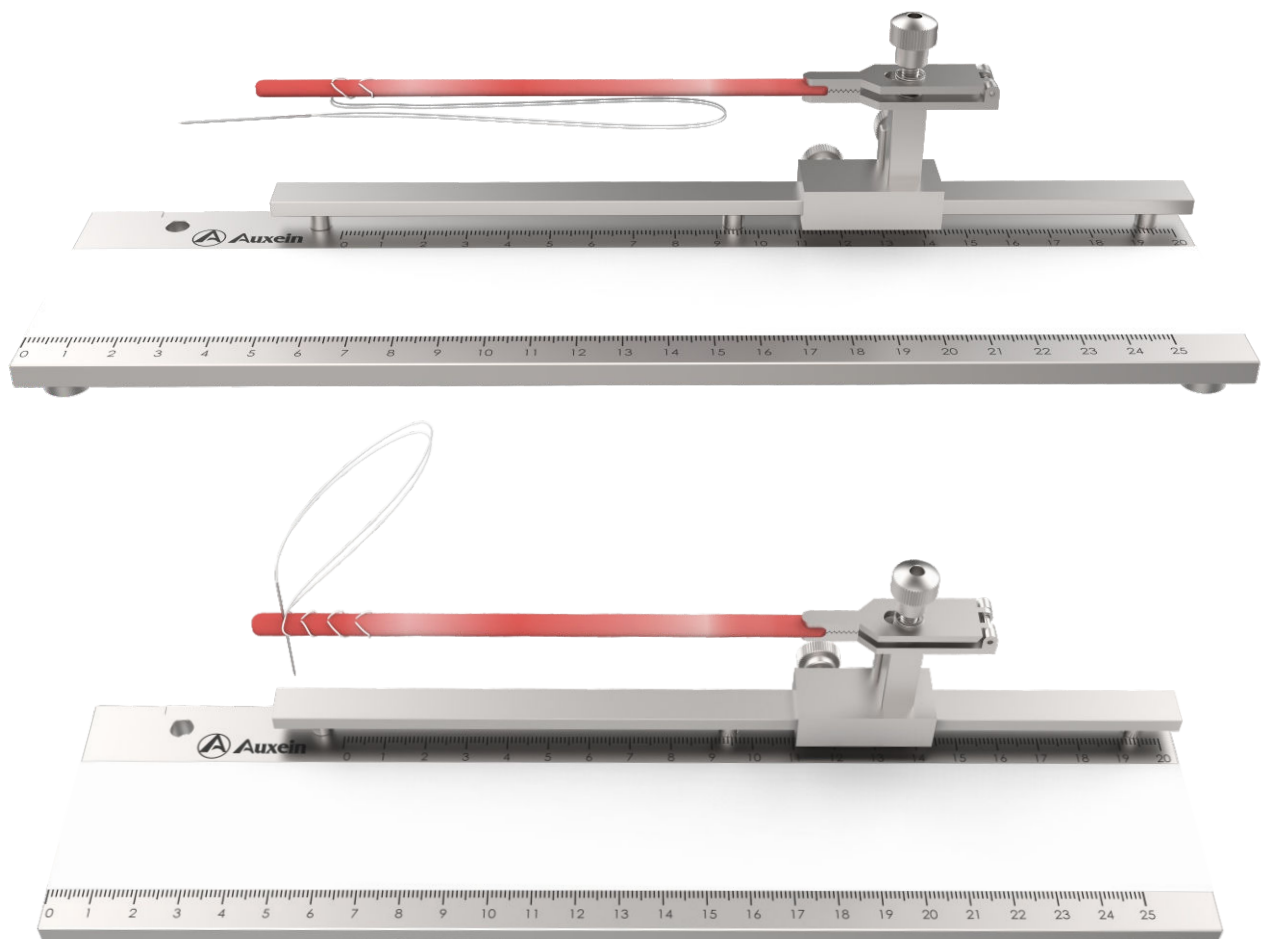
After passing, tension the first stitch. Spread the suture strands on either side of the graft, dropping the graft between the strands.



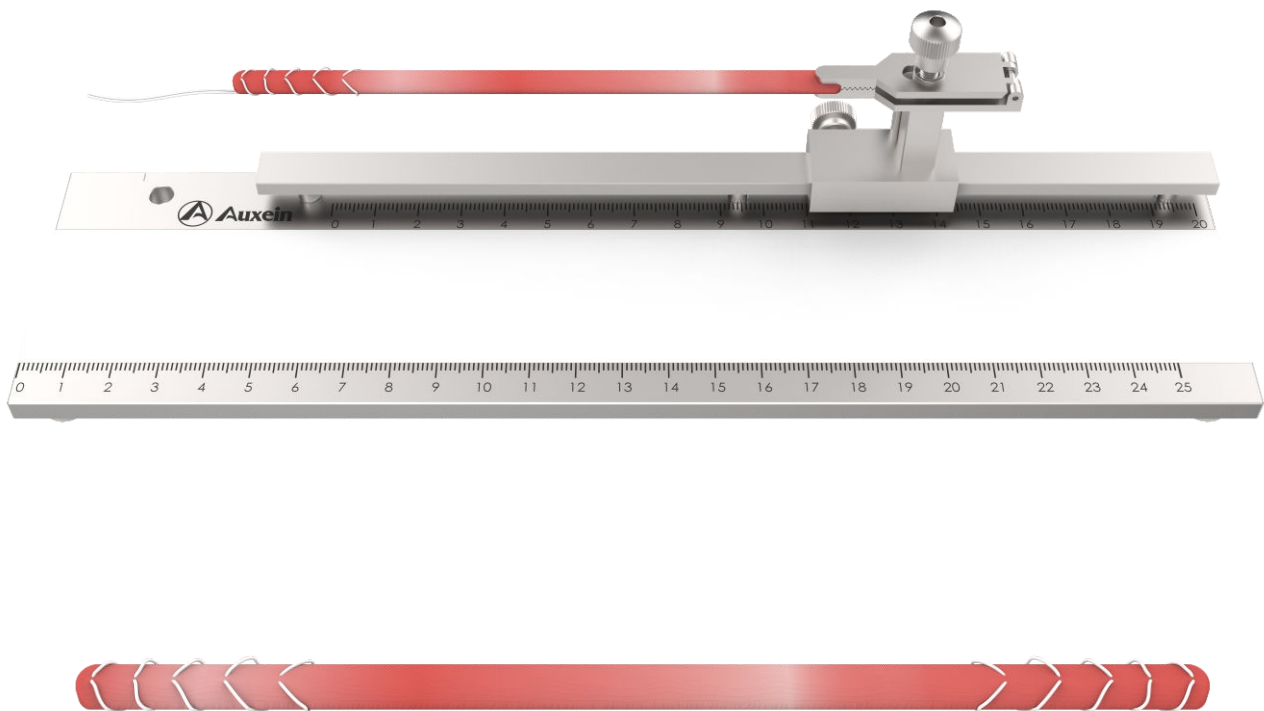
Pass the needle through the graft distal to the first stitch. Continue stitching toward towards the end of the graft. (Note: Be sure the needle is inserted on the same side of the graft with each pass.



Repeat this process until the desired stitching length is achieved.



Cut off the needle leaving free ends or leaving tails braided together



Ordering Information

Code	Product Description	Suture Colour	Needle
6-012-01	AUXILOCK [®] #2 BioBraid Infinity Loop: White, With Needle: Straight, 20in Loop Length, 24in Total Length	○	
6-012-02	AUXILOCK [®] #2 BioBraid Infinity Loop: White/Blue, With Needle: Straight, 20in Loop Length, 24in Total Length	◐	
6-012-03	AUXILOCK [®] #5 BioBraid Infinity Loop: White/Blue, With Needle: Straight, 20in Loop Length, 24in Total Length	◐	



USA

Auxein Inc.
1500 Nw 89th Court, Suite 107-108
Doral, Florida 33172
Tel: +1 305 395 6062
E Fax: +1 305 395 6262
Email: USoffice@auxein.com

MEXICO

Auxein México, S.A. de C.V.
Tepic 139 int 801, Colonia Roma Sur,
Alcaldía Cuauhtémoc, CDMX,
México, C.P. 06760
Tel: +521 55 7261 0318
Email: info@auxein.mx

INDIA

Auxein Medical Pvt. Ltd.
Plot No. 168-169-170, Phase-4,
Kundli Industrial Area,
HSIIDC, Sector-57, Sonapat - 131028, Haryana
Tel: +91 99106 43638 | Fax: +91 86077 70197
Email: info@auxein.com

www.auxein.com

