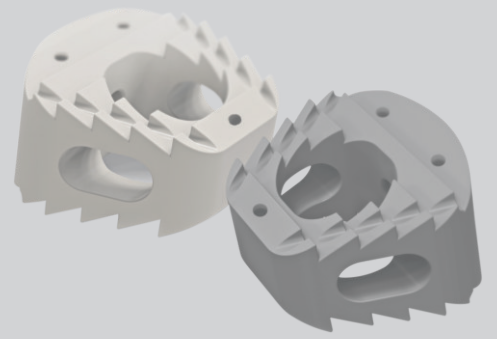
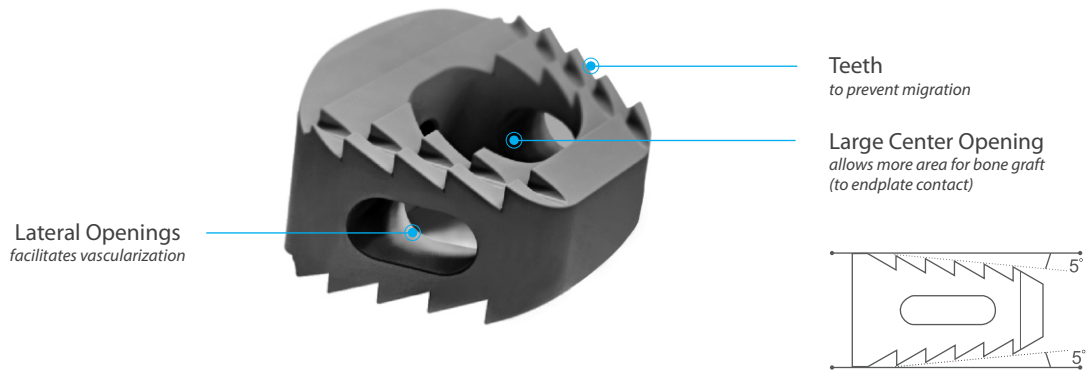


# CERVICAL Cage (ACDF)



## CERVICAL Cage (ACDF)



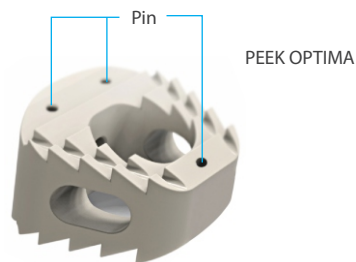
## Cervical Cage (ACDF)

Code	Product Specification (mm)
SP-920	4 x 16 x 13
SP-393	5 x 16 x 13
SP-394	6 x 16 x 13
SP-395	7 x 16 x 13
SP-396	8 x 16 x 13
SP-900	9 x 16 x 13
SP-905	10 x 16 x 13
SP-906	11 x 16 x 13
SP-907	12 x 16 x 13



## Cervical Cage (ACDF)

Code	Product Specification (mm)
SP-404S	4 x 16 x 13
SP-405S	5 x 16 x 13
SP-406S	6 x 16 x 13
SP-407S	7 x 16 x 13
SP-408S	8 x 16 x 13
SP-922S	9 x 16 x 13
SP-923S	10 x 16 x 13
SP-933S	11 x 16 x 13
SP-948S	12 x 16 x 13



available in: **STERILE R**

**IMPC-972 Cervical Cage (ACDF) Implant Set**


Code	Product Specification	Qty.
<b>SP-393</b>	Cervical Cage, 5mm x 16mm x 13mm	1
<b>SP-394</b>	Cervical Cage, 6mm x 16mm x 13mm	1
<b>SP-395</b>	Cervical Cage, 7mm x 16mm x 13mm	1
<b>SP-396</b>	Cervical Cage, 8mm x 16mm x 13mm	1
<b>SP-900</b>	Cervical Cage, 9mm x 16mm x 13mm	1
<b>SP-905</b>	Cervical Cage, 10mm x 16mm x 13mm	1
<b>SP-906</b>	Cervical Cage, 11mm x 16mm x 13mm	1
<b>SP-907</b>	Cervical Cage, 12mm x 16mm x 13mm	1
<b>4-016-01</b>	Implant Box for Cervical Cage (ACDF) Implant Set	1

**7-052-01** Trial, 4mm for Cervical Cage



**SP-042** Trial, 5mm for Cervical Cage



**SP-043** Trial, 6mm for Cervical Cage



**SP-044** Trial, 7mm for Cervical Cage



**SP-045** Trial, 8mm for Cervical Cage



**SP-046** Implant Inserter - Long



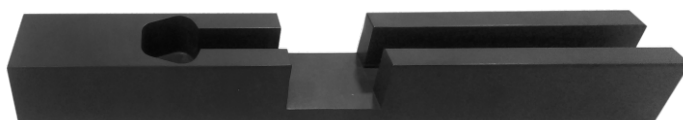
**SP-047** Implant Inserter - Short



**SP-048** Curve Tamp



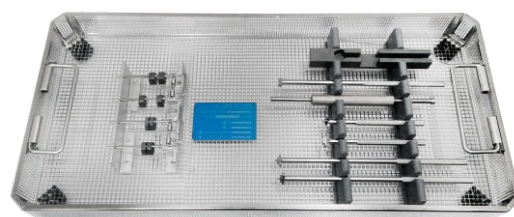
**SP-049** Implant Support for Cervical Cage



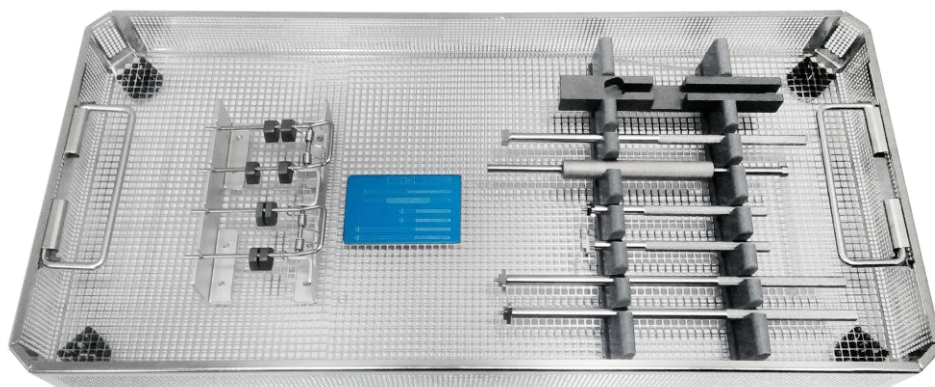
**SP-050** Graft Impactor for Cervical Cage



**SP-469** Mesh Tray for Cervical cage (ACDF) Instrument Set





**SP-040 Cervical cage (ACDF) Instrument Set**


Code	Set Consisting of	Qty.
<b>7-052-01</b>	Trial, 4mm for Cervical Cage	2
<b>SP-042</b>	Trial, 5mm for Cervical Cage	2
<b>SP-043</b>	Trial, 6mm for Cervical Cage	2
<b>SP-044</b>	Trial, 7mm for Cervical Cage	2
<b>SP-045</b>	Trial, 8mm for Cervical Cage	2
<b>SP-046</b>	Implant Inserter - Long	2
<b>SP-047</b>	Implant Inserter - Short	2
<b>SP-048</b>	Curve Tamp	1
<b>SP-049</b>	Implant Support for Cervical Cage	1
<b>SP-050</b>	Graft Impactor for Cervical Cage	1
<b>SP-469</b>	Mesh Tray for Cervical cage (ACDF) Instrument Set	1