

AUXILOCK® 6mm x 25mm PEEK OPTIMA Interference Screw

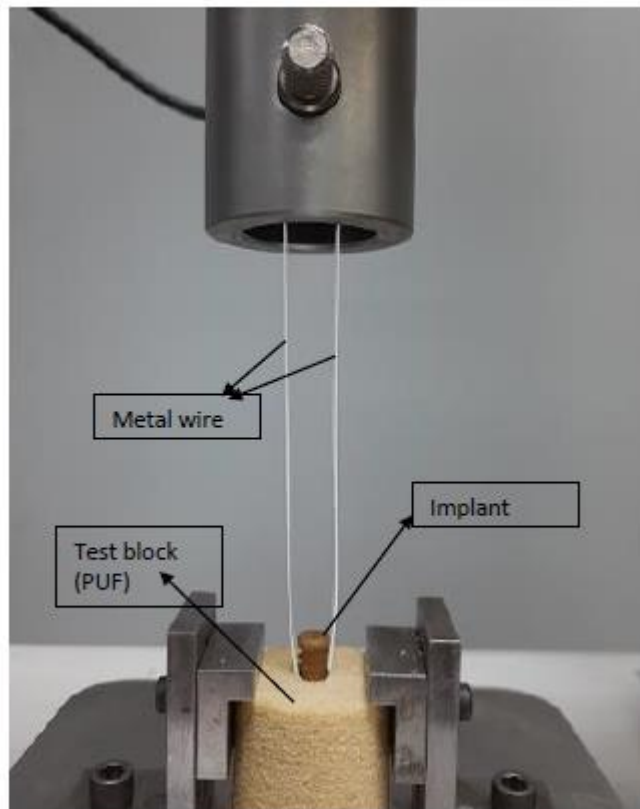
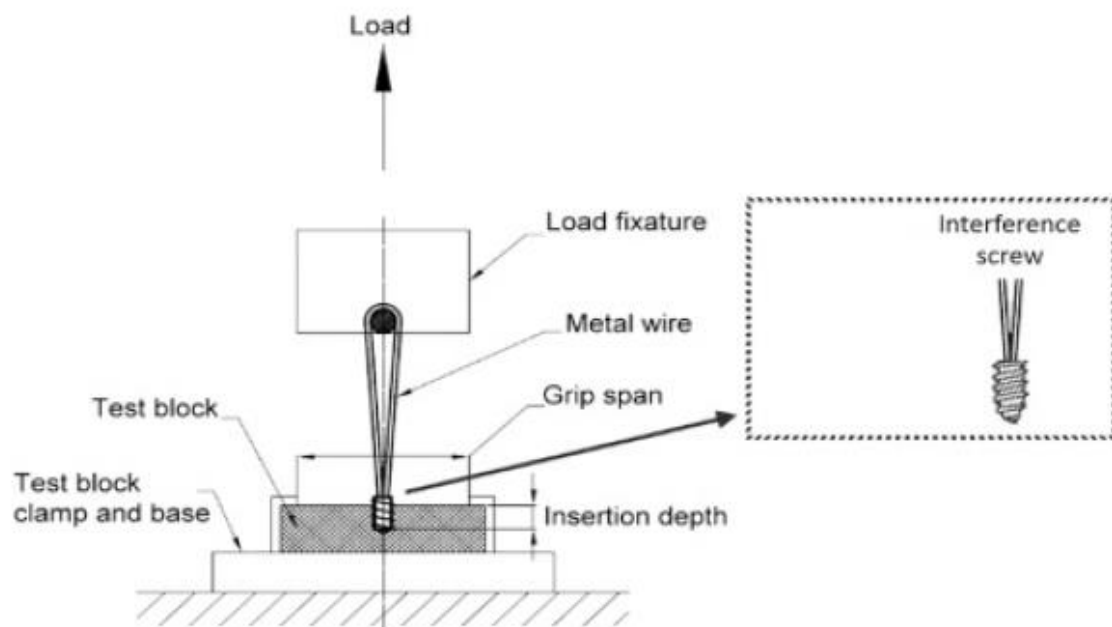
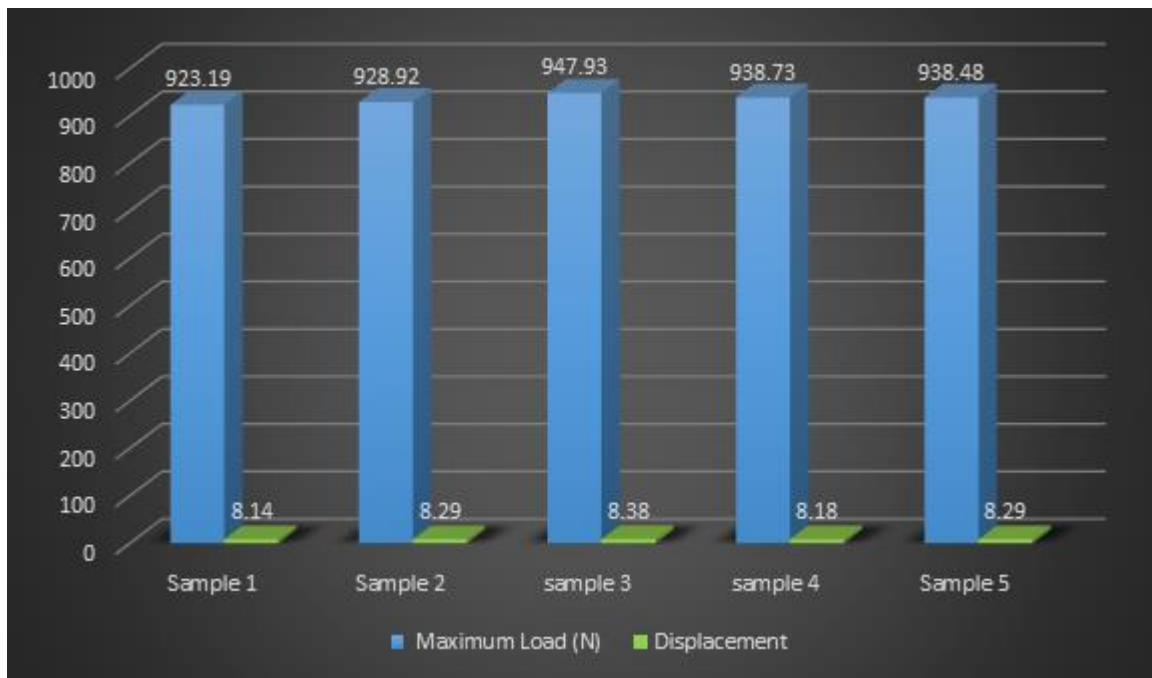


Fig: Test Setup





The interference screw Manufactured by M/S Auxein Medical Pvt. Ltd. tested as per internal protocol for pull out load.