

7.0mm Cannulated Cancellous Screw, 16mm Thread, Titanium

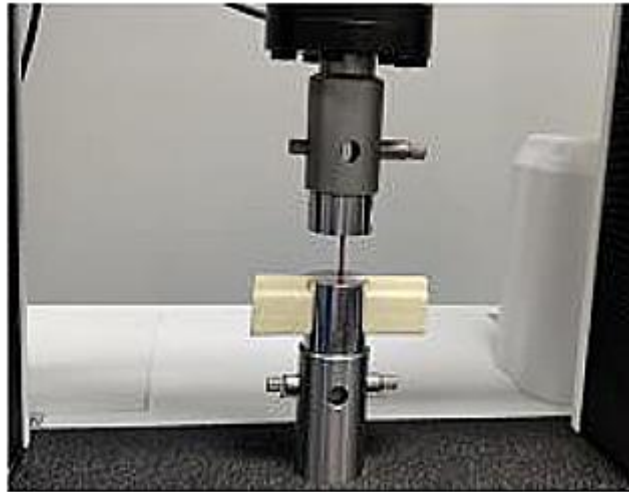
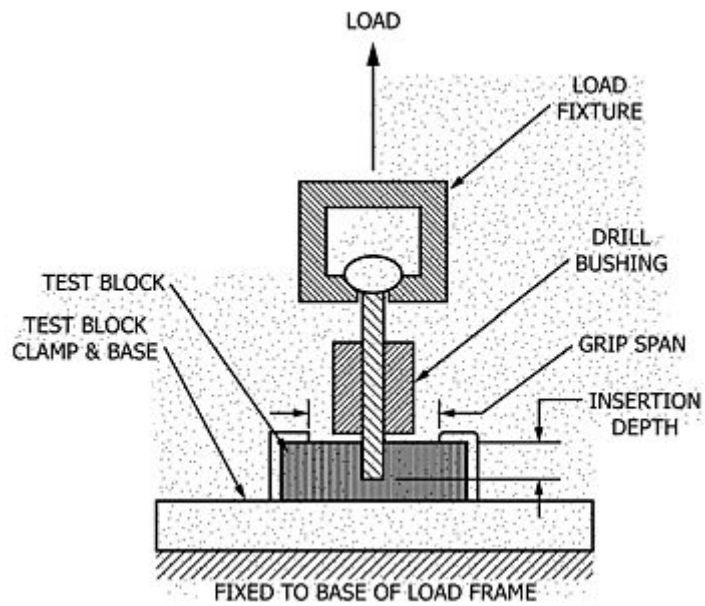
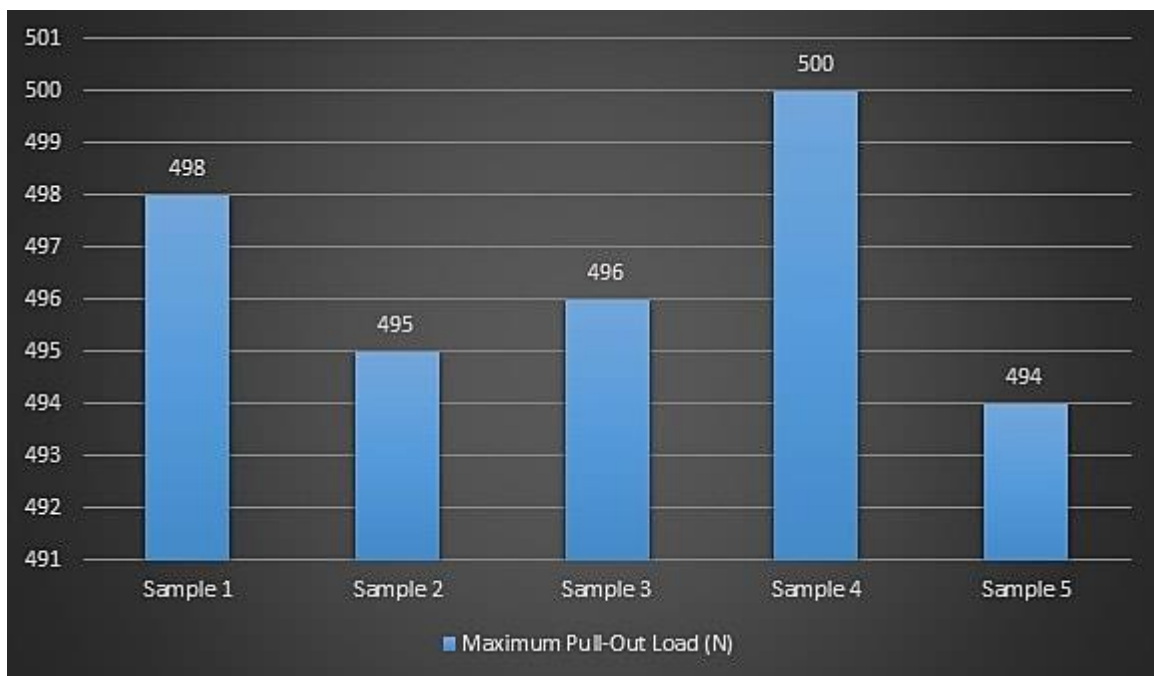
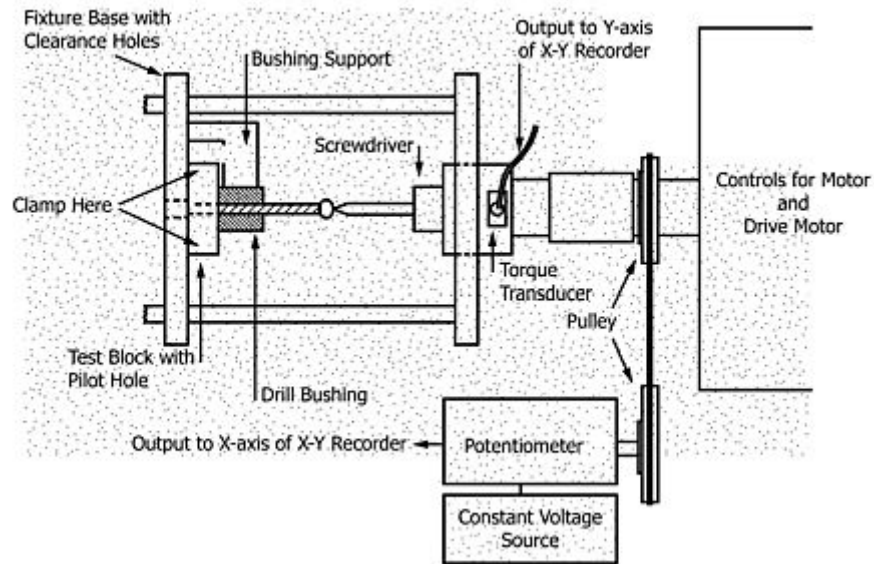


Fig: Test Setup





The Metallic Bone screws Manufactured by M/S Auxein Medical Pvt. Ltd. tested as per the test method described in ASTM F543-17 for axial pull-out strength.

