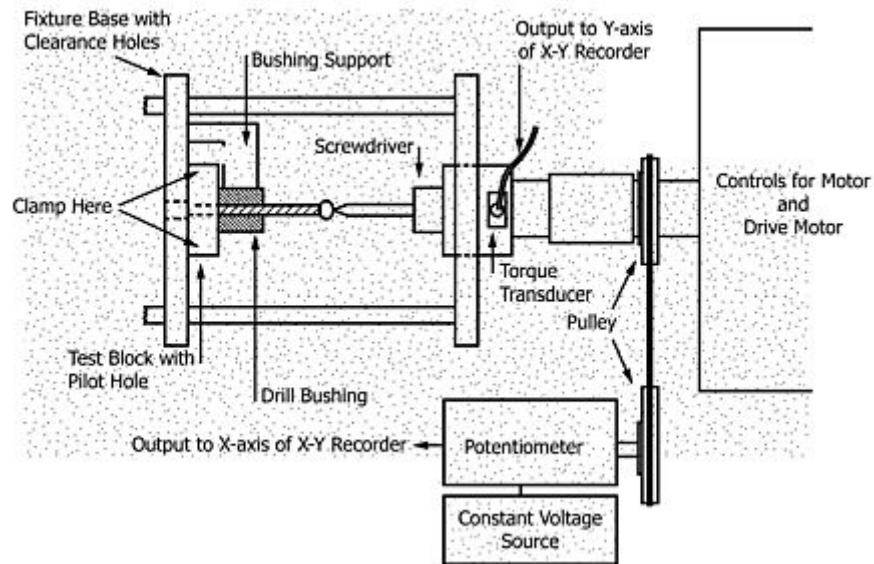
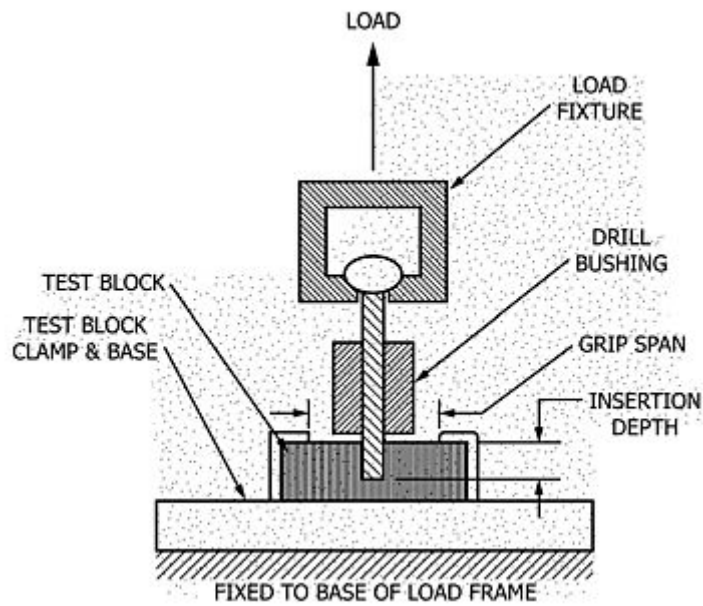
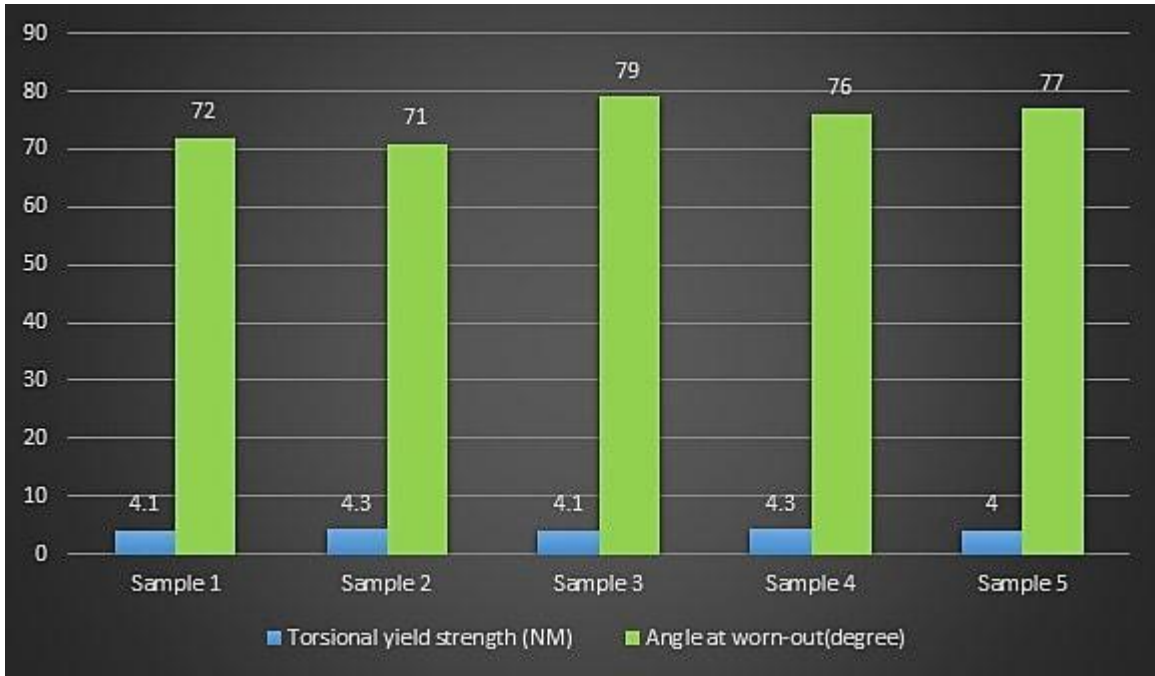


### 4.0mm Cannulated Cancellous Screw, Short Thread, Stainless Steel





The Metallic Bone screws Manufactured by M/S Auxein Medical Pvt. Ltd. tested as per the test method described in ASTM F543-17 for torsional strength.