

3.5mm Cannulated Cortical Screws, Short Thread, Stainless Steel

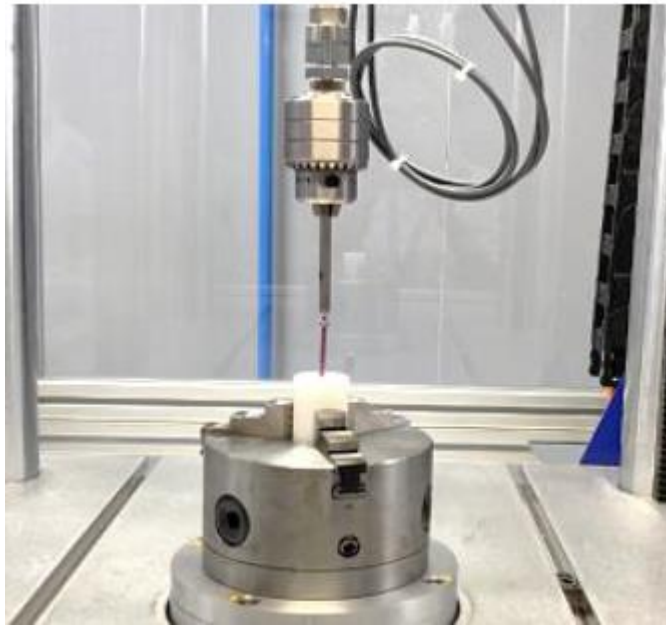
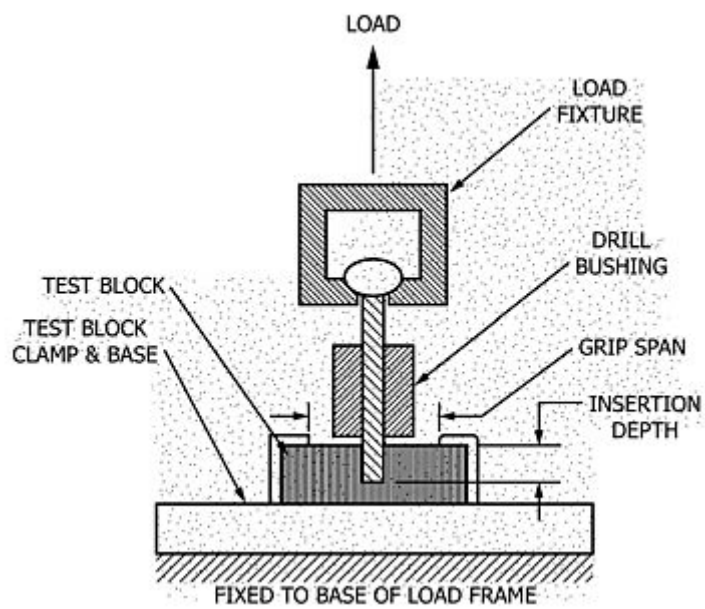
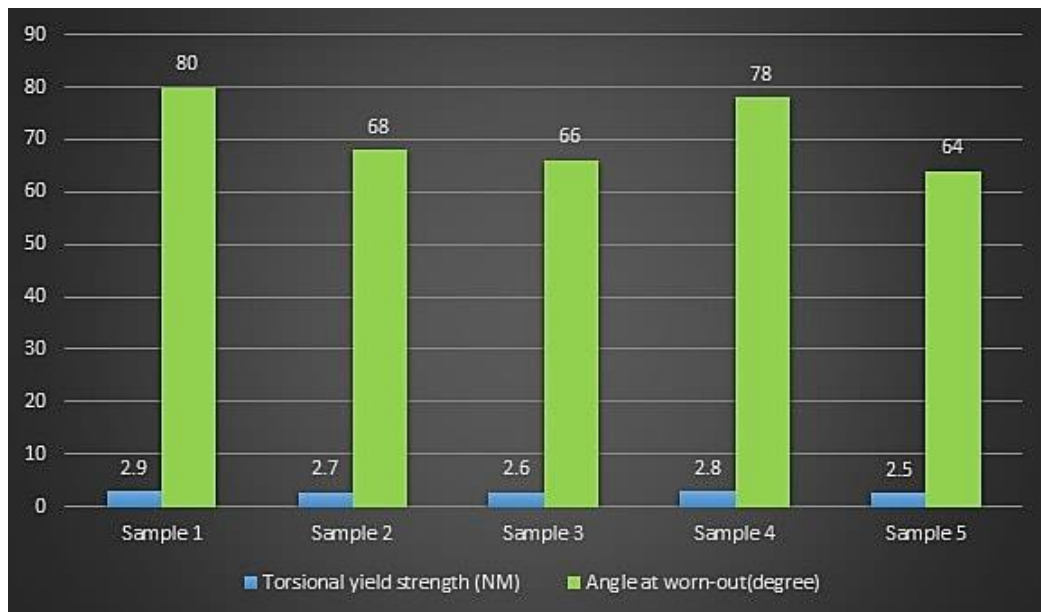
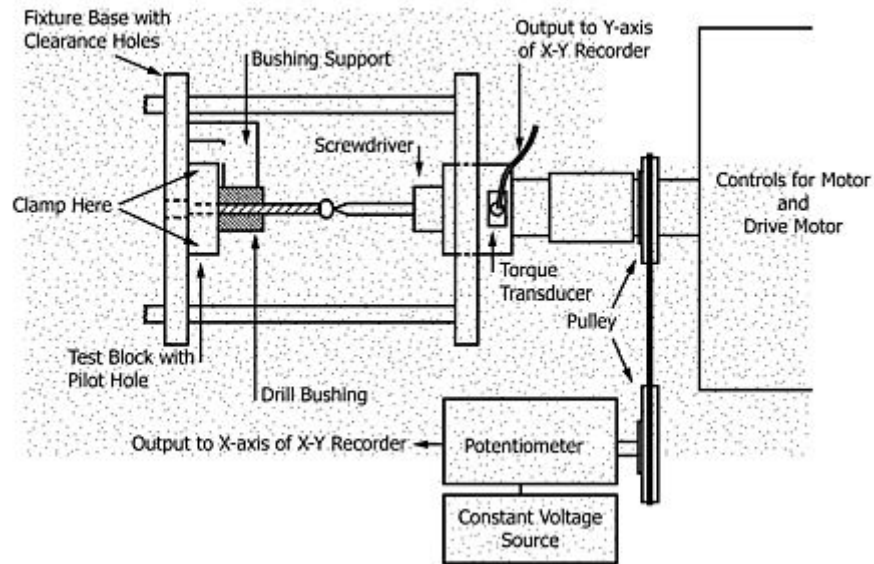


Fig: Test Setup





The Metallic Bone Screws Manufactured by M/S Auxein Medical Pvt. Ltd. tested as per the test method described in ASTM F543-17 for torsional strength.