

3.0mm Cannulated Cancellous Screws, Short Thread, Titanium

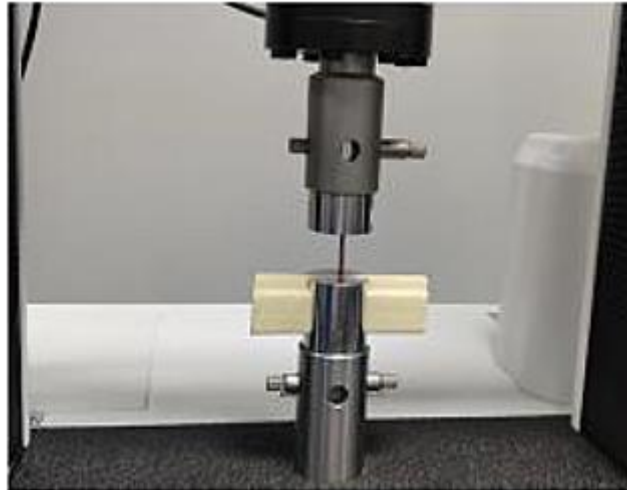
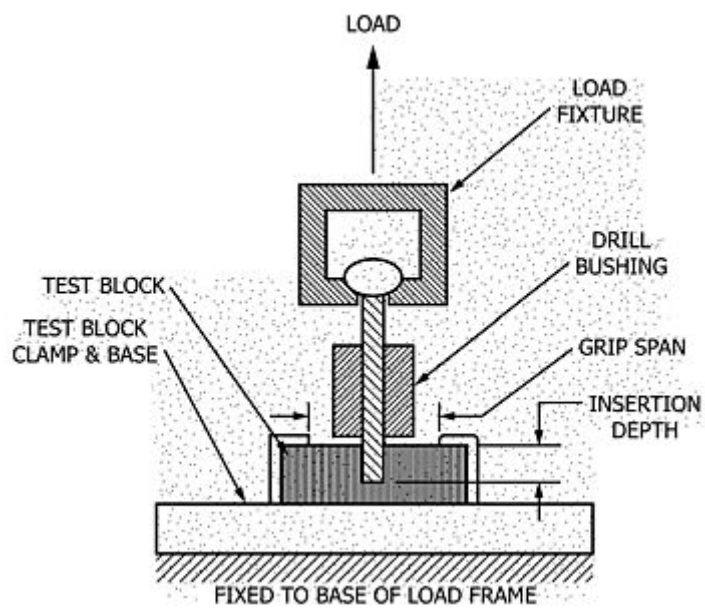
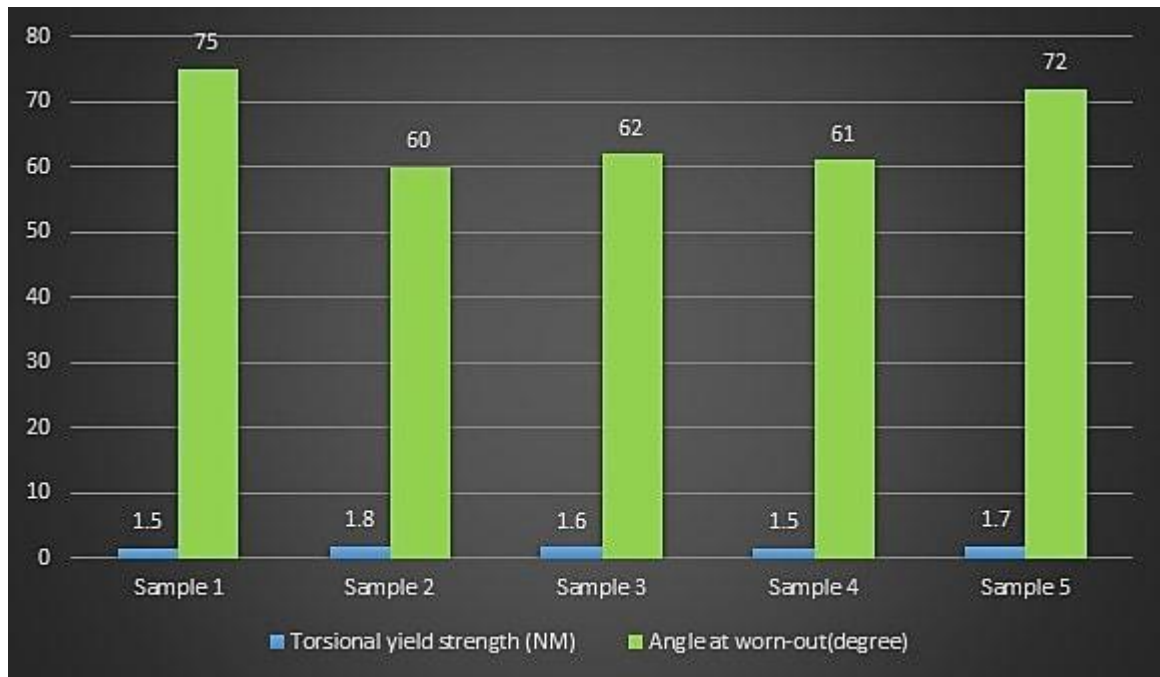
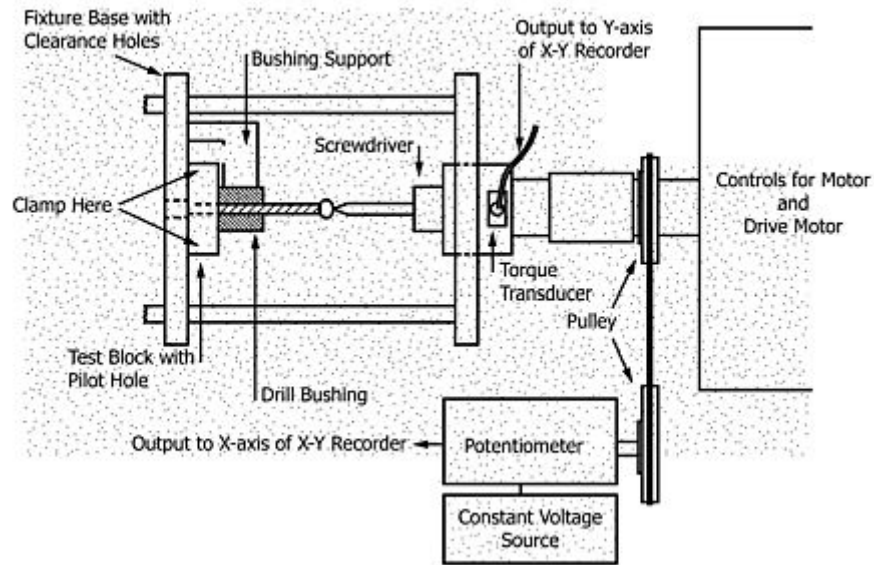


Fig: Test Setup





The Metallic Bone screws Manufactured by M/S Auxein Medical Pvt. Ltd. tested as per the test method described in ASTM F543-17 for torsional strength.

**6.9) Auxein Medical - 3.0mm Cannulated Cancellous Screw, Short Thread
(Titanium) – Driving Torque Measurement Test**

Specimen	Insertion Torque (Nm)	Removal Torque (Nm)
1	0.32	0.26
2	0.34	0.30
3	0.30	0.25
4	0.36	0.27
5	0.35	0.31
Mean	0.33	0.28
StdDev.	0.02	0.03