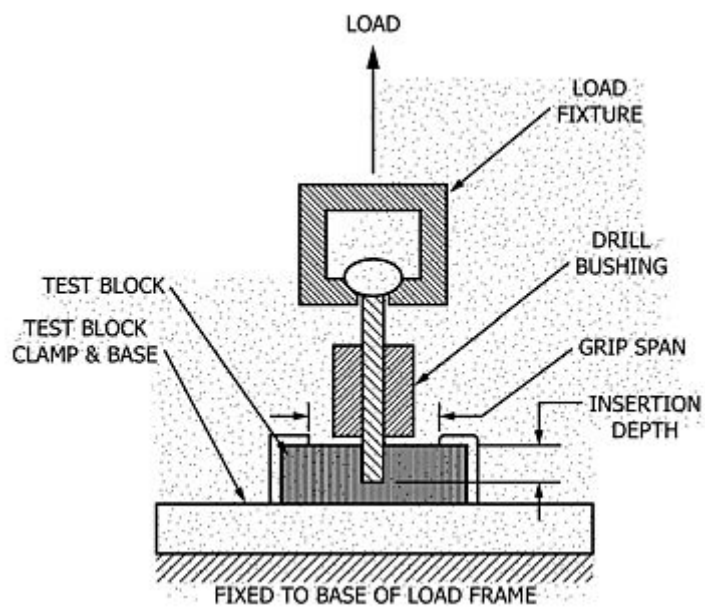
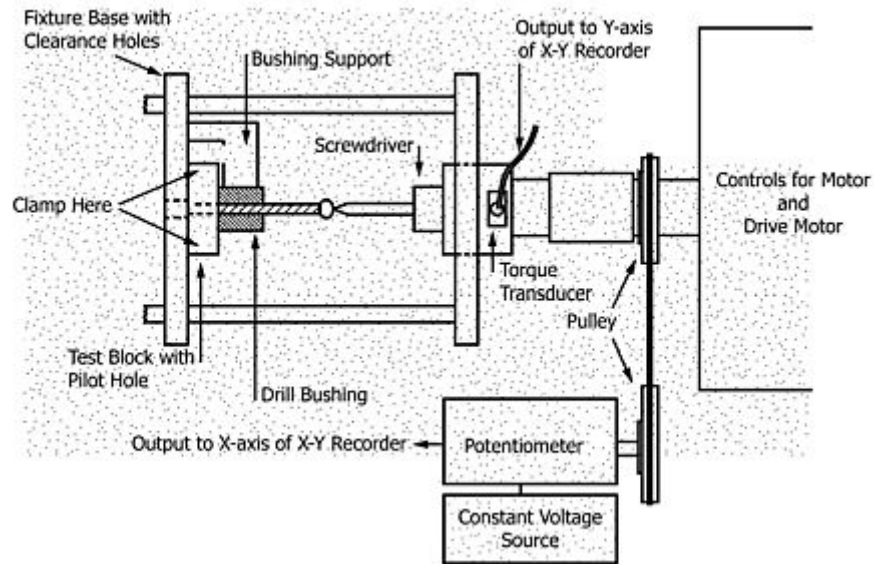


2.0mm Self-Tapping & Self Drilling IMF Screw, Type-III, Length 13mm, Titanium



Fig: Test Setup





The Metallic Bone screws Manufactured by M/S Auxein Medical Pvt. Ltd. tested as per the test method described in ASTM F543-17 for insertion/removal torque.

insertion/removal torque graph