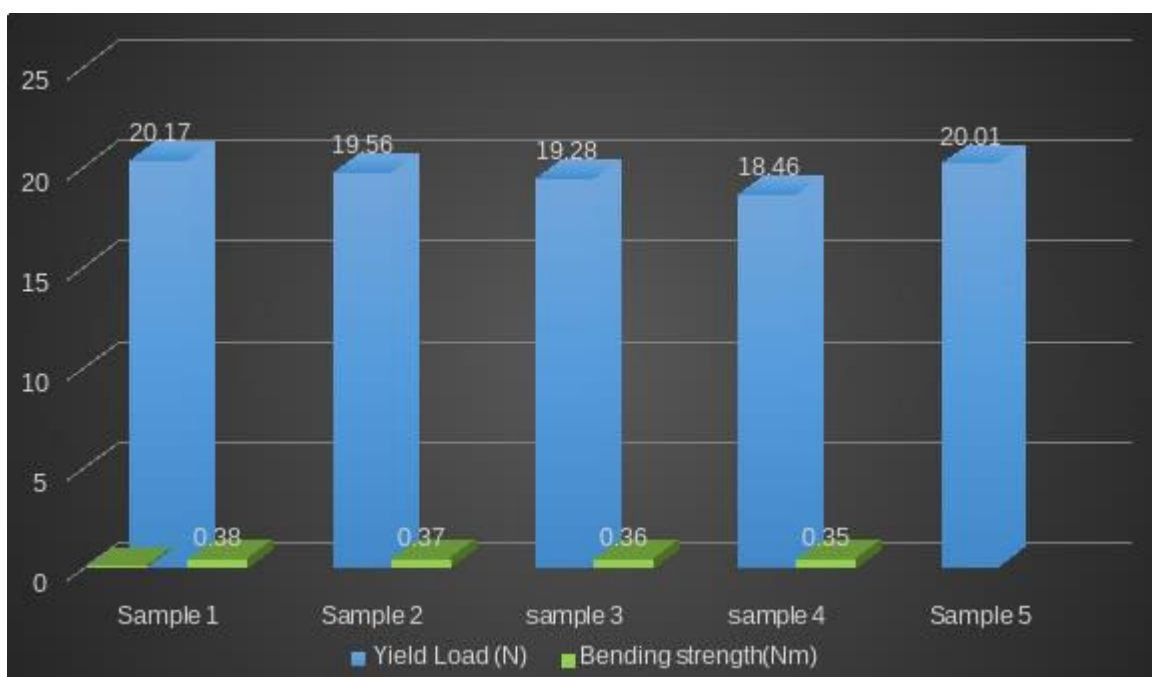
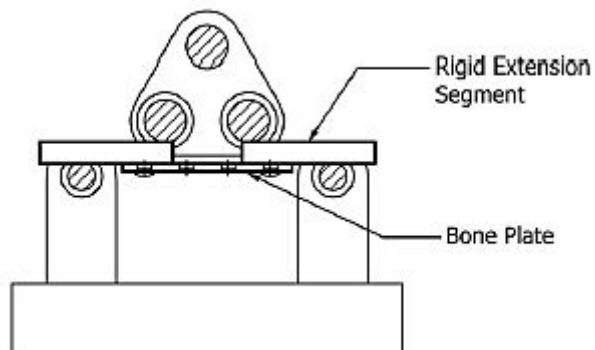


1.5mm Wise-Lock Condylar Plate, 2 Head Hole, 8 Holes Titanium



Fig: Test Setup



The Metallic Bone plates Manufactured by M/S Auxein Medical Pvt. Ltd. tested as per the test method described in ASTM F382 for four point bend testing in order to determine the Yield load (N) as well as bending strength under the flexural loading.