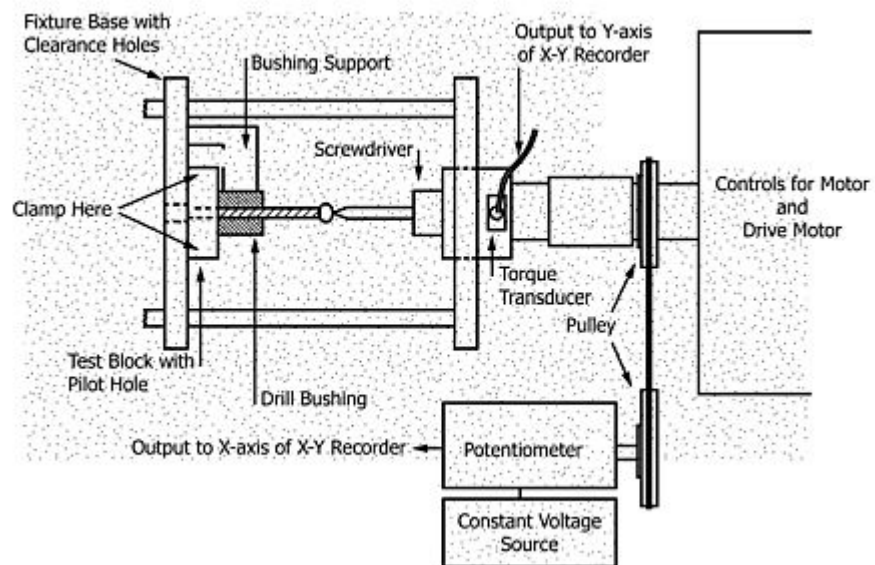
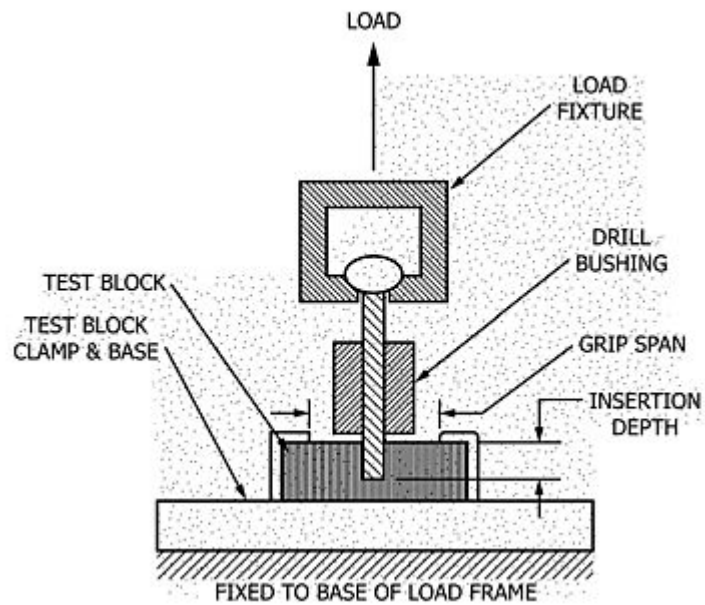


7.5mm Headless Cannulated Screw, Titanium



The Metallic Bone screws Manufactured by M/S Auxein Medical Pvt. Ltd. tested as per the test method described in ASTM F543-17 for torsional strength, axial pull strength insertion/removal torque.

TORSIONAL STRENGTH GRAPH